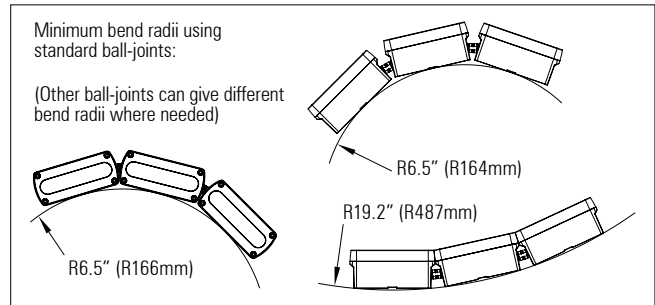
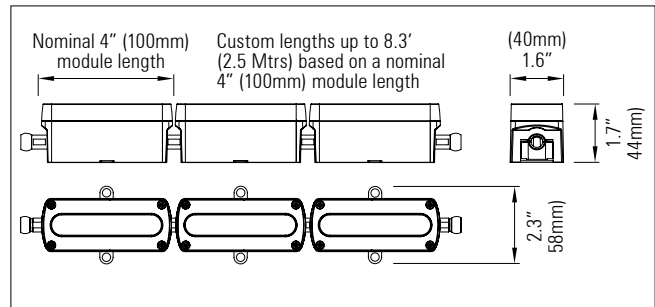


3D LED Flex 40 IP66 Class 2

8 or 12 x 0.3 Watt medium power LEDs with white reflector per module

Modular, 3D flexible LED linear lighting system



8 or 12 x 0.3 Watt medium power LEDs with white reflector per module

Modular, 3D flexible LED linear lighting system

Product description:

For use in exterior indirect cove lighting applications where the building surfaces are non linear with curved profiles

Each module - 8 or 12 x 0.3 Watt Osram, Samsung or Luminus LEDs, without lenses

Up to 5 Watts per 4" (100mm) module. 30 Volt DC supply

High efficiency white reflector

Flexible in 3 dimensions - Articulated ball-joint system between modules

LED pitch is maintained between the modules

Side, back and end power feed and connector options allow for continuous lighting with no dark areas between fixtures. 17.5 Amp IP68 connectors join fixtures together on-site

Integral LV constant current driver

Dimming options available: 1-10V, DMX and DALI. Separate dimming channel

Various LED colour temperature and CRI options available

Satin black, satin white or any RAL paint colour finish

Custom lengths based on a 4" (100mm) module length up to 8.3' (2.5 mtrs)

Various mounting options and bracket types are available

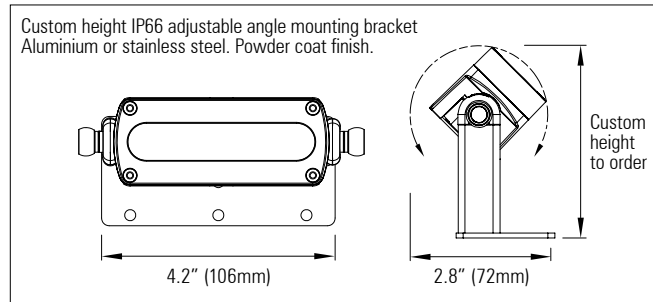
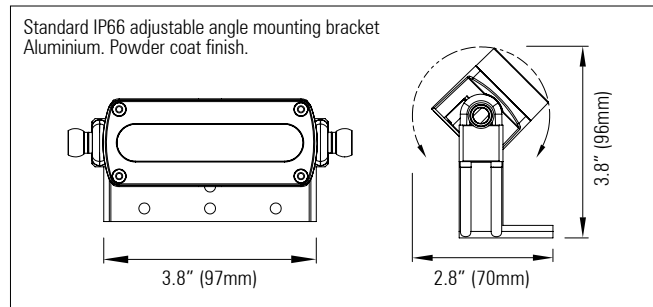
Up to 1,500 lumens per ft
(Up to 5,000 Lumens per Mtr)

Product Code	No. of LEDs	IP	Length	LED Type	Optics (°)	Colour Temp. (K)	CRI	Cover	Feed	Finish
RAD 3D LED FLEX 40 IP66 0.3W - 8	8 LEDs per 4" (100mm) module: 1" (25mm) pitch between arrays	66	4" (100mm)	0.3W LEDs: Osram Samsung Luminus	110°	27=2,700k 30=3,000k 35=3,500k 40=4,000k 45=4,500k 50=5,000k Dynamic white	80 90	Clear Frosted	End Back Side	Black White Any RAL colour
RAD 3D LED FLEX 40 IP66 0.3W - 12	12 LEDs per 4" (100mm) module: 1" (25mm) pitch between arrays		8.3' (2.5 mtrs)							

3D LED Flex 40 IP66 Class 2

8 or 12 x 0.3 Watt medium power LEDs with white reflector per module

Adjustable angle mounting bracketry



Adjustable angle mounting bracketry for 3D LED Flex 40 IP66

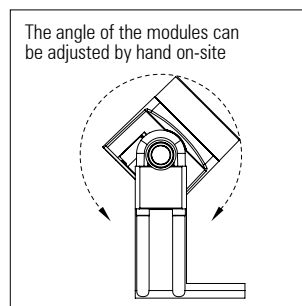
The 3D LED Flex 40 system is flexible in 3 dimensions, which allows it to follow curved building contours. Once they have been fixed to the building surface, adjustable angle brackets allow the modules to be rotated around the major axis, so that the light output can be aimed precisely.

The angle of the modules can be adjusted by hand easily on-site. The friction ball-joint system keeps the modules correctly positioned. There is also a lockable option, which allows each module to be locked in place using an Allen key once it is correctly positioned.

A standard height version and a custom height version are available. Custom options are also available.

The standard height bracket is made from aluminium and the custom-height bracket can be made from either aluminium or stainless steel for more demanding exterior applications.

Both options have a powder coat finish which is available in satin black, satin white or any RAL paint colour finish.

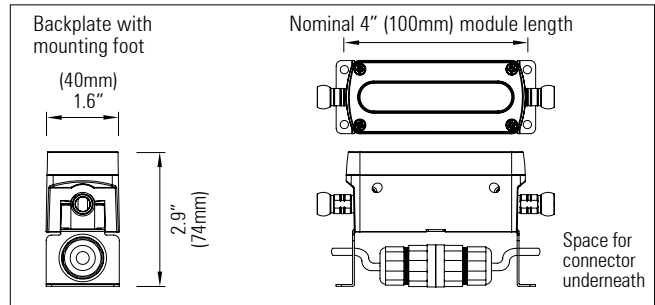
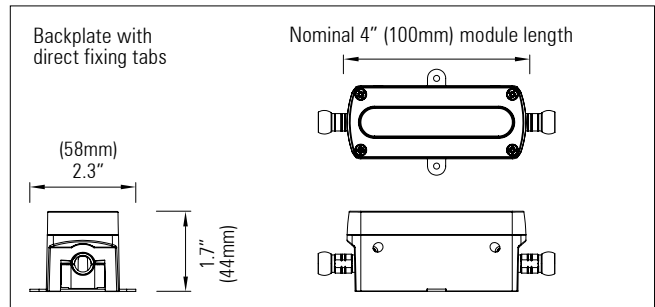
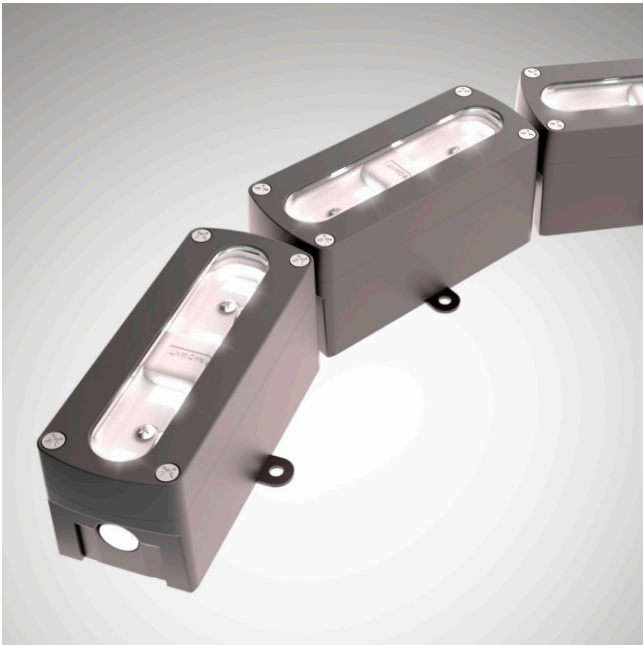


Product code	IP	Finish	Height of legs
RAD 3D LED FLEX 40 IP66 ADJUSTABLE ANGLE BRACKET STANDARD AL	66	Aluminium: Black White Any RAL colour	Custom height version only: 0.8" (20mm)
RAD 3D LED FLEX 40 IP66 ADJUSTABLE ANGLE BRACKET CUSTOM HEIGHT SS		Stainless Steel: Black White Any RAL colour	-increments of 0.2" (5mm) up to- 12" (305mm)

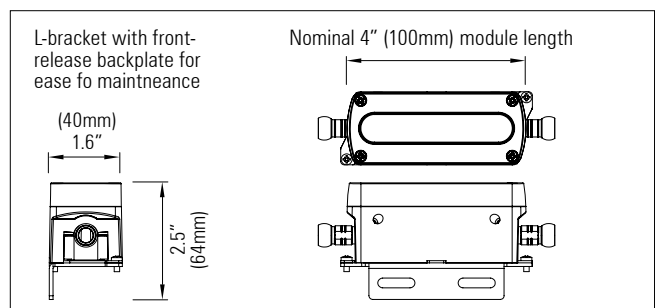
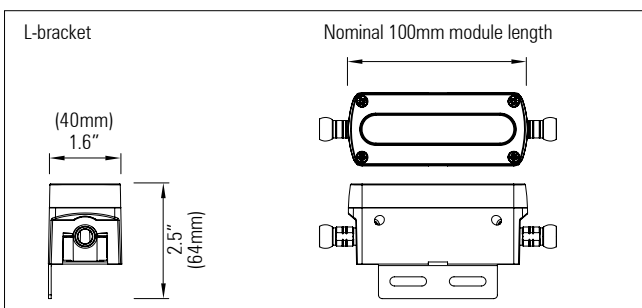
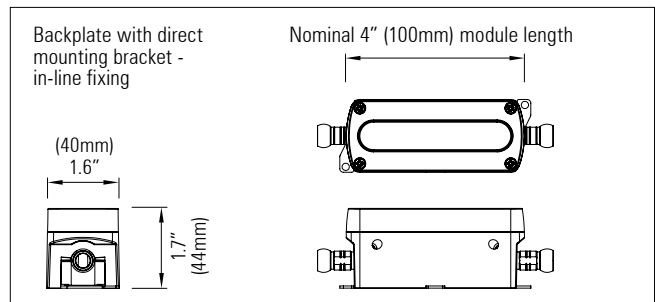
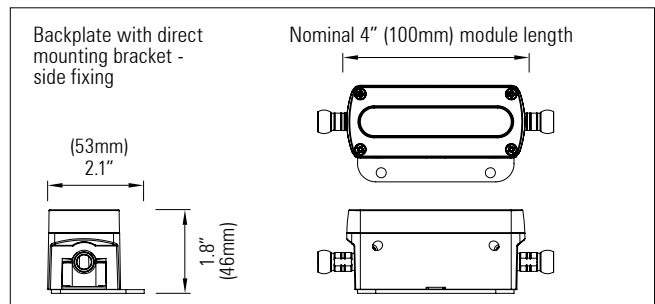
3D LED Flex 40 IP66 Class 2

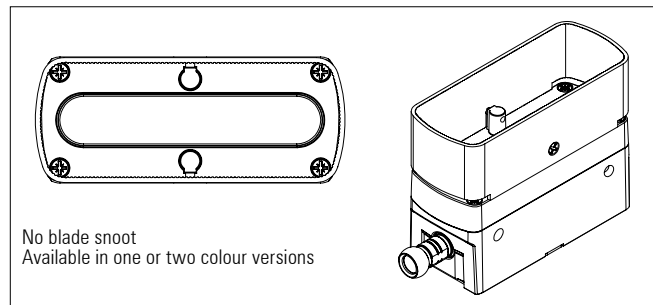
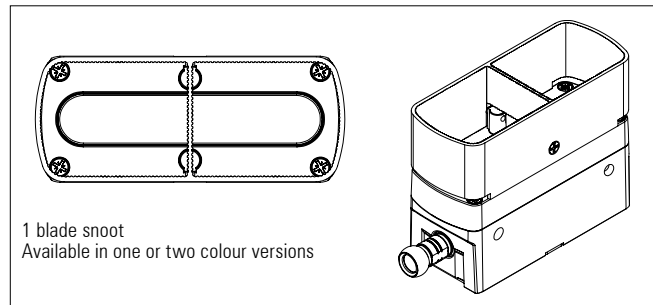
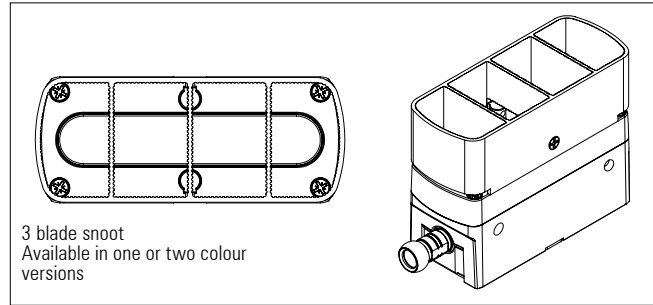
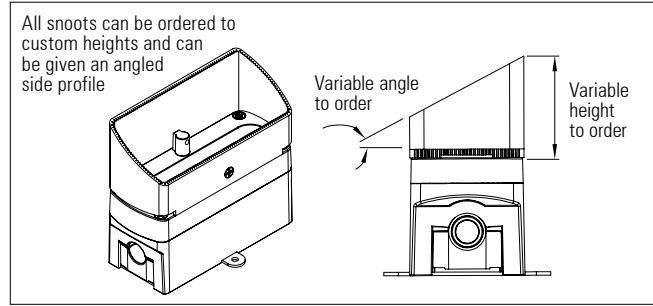
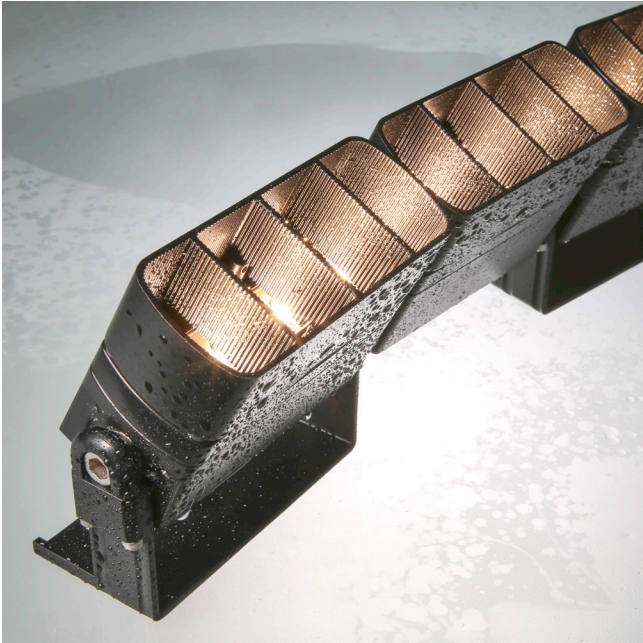
8 or 12 x 0.3 Watt medium power LEDs with white reflector per module

Fixed angle mounting bracketry



Product code	IP	Finish
RAD 3D LED FLEX 40 IP66 FIXED ANGLE BRACKET DIRECT FIXING TABS	66	Black White Any RAL colour
RAD 3D LED FLEX 40 IP66 FIXED ANGLE BRACKET WITH MOUNTING FOOT		
RAD 3D LED FLEX 40 IP66 FIXED ANGLE BRACKET SIDE FIXING		
RAD 3D LED FLEX 40 IP66 FIXED ANGLE BRACKET IN-LINE FIXING		
RAD 3D LED FLEX 40 IP66 FIXED ANGLE L-BRACKET FRONT RELEASE		
RAD 3D LED FLEX 40 IP66 FIXED ANGLE L-BRACKET		





3D LED FLEX 40 anti-glare accessories

For use with the 3D LED Flex 40 system IP66 to control light glare from the LEDs when the fixtures are not fully recessed

3 blade, 1 blade and no blade snoots are available

Satin black, satin white or any RAL paint colour finish. Two colour versions are also available - eg. white finish on exterior & black finish on interior of snoot. Both interior and exterior parts can be any RAL colour paint finish, or any anodised finish

Custom height to order

Straight or any custom cut angle side-profile to order

Product Code	No. of blades	IP	Height	Cut angle of side-profile (°)	Finish
RAD 3D LED FLEX 40 SNOOT	0	66	0.8" (20mm)	0° -increments of 5° up to- 75°	Black White Any RAL colour Two colour - both parts can be any anodised or any RAL colour
	1		-increments of 0.2" (5mm) up to-		
	3		12" (305mm)		

Product description:

Radiant's 3D LED Flex 40 system comprises a patented articulated ball-joint system which links the heatsink modules.

The ball-joints system allows the strips to bend and twist in 3 dimensions, so that they can follow any building contours, whilst maintaining a constant LED pitch.

There are various types of ball-joint to suit different applications, some of which can be seen on this data sheet. Please contact Radiant to discuss custom solutions.

Product Code	Material	Length
STANDARD BALL-JOINT BALL-JOINT STRAIGHT BRACKET BALL-JOINT BRACKET TIGHT BEND BALL-JOINT CURVED BRACKET BALL-JOINT TIGHT BENDS BALL-JOINT LONG	Nickel-plated brass	For longer ball-joint only: 3.9" (100mm) 7.9" (200mm) 11.8" (300mm) Custom lengths
BALL-JOINT IN LINE FIXING	Stainless steel	

Standard ball-joint

Minimum bend radius for 3D LED Flex 40 using standard ball-joints

Approximately R6.2" (R156mm) depending on IP rating, bracket type, LED type and optics

Ball-joint with straight bracket

Minimum bend radius for 3D LED Flex 40 using ball-joints with straight bracket

Approximately R3.2" (R80mm) depending on IP rating, bracket type, LED type and optics

Ball-joint with bracket for tight bends

Minimum bend radius for 3D LED Flex 40 using ball-joints with bracket for tight bends

Approximately R2.4" (R61mm) depending on IP rating, LED type and optics

Ball-joint with curved bracket

Minimum bend radius for 3D LED Flex 40 using ball-joints with curved bracket

Approximately R4.4" (R112mm) depending on IP rating, bracket type, LED type and optics

Ball-joint for tight bends

Minimum bend radius for 3D LED Flex 40 using ball-joints for tighter bends

Approximately R4.1" (R105mm) depending on IP rating, bracket type, LED type and optics

Ball-joint with in-line fixing bosses

Minimum bend radius for 3D LED Flex 40 using ball-joints with inline fixing bosses

Approximately R6.4" (R163mm) depending on IP rating, bracket type, LED type and optics

Longer ball-joint

Standard lengths:
3.9" (100mm)
7.9" (200mm)
11.8" (300mm)
(Custom lengths to order)

Minimum bend radius for 3D LED Flex 40 IP20 with 3.9" (100mm) long ball-joints

Approximately R23.6" (R600mm) depending on IP rating, bracket type, LED type and optics

7.9" (200mm)